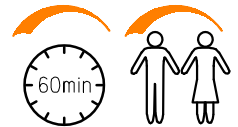
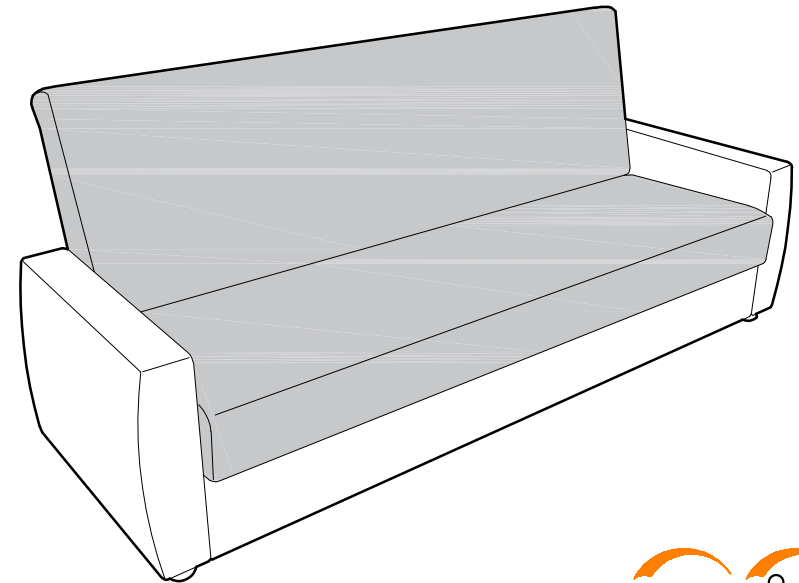
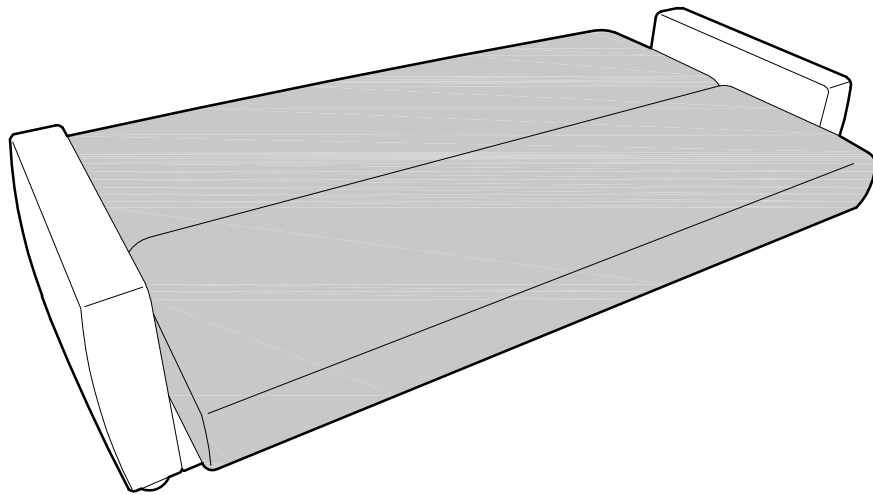
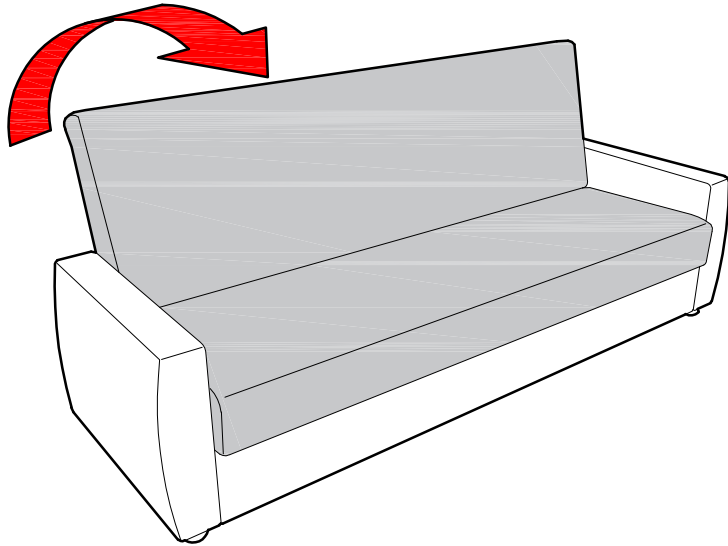
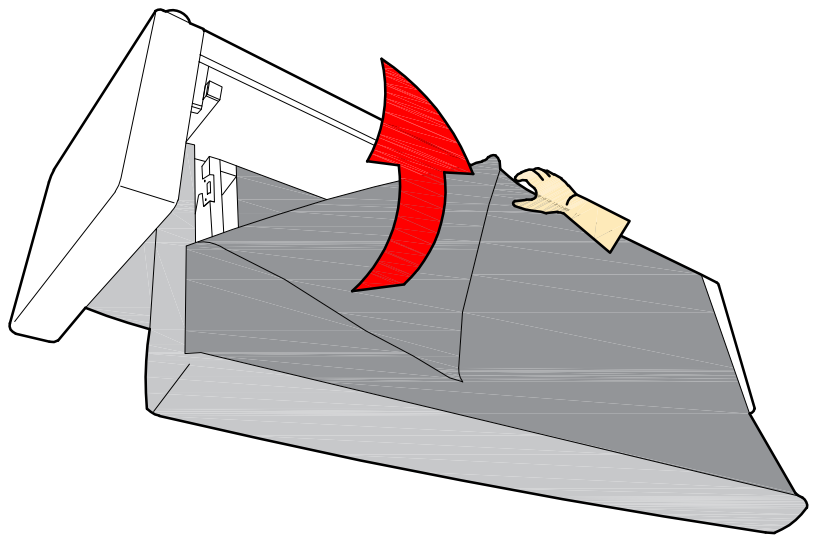
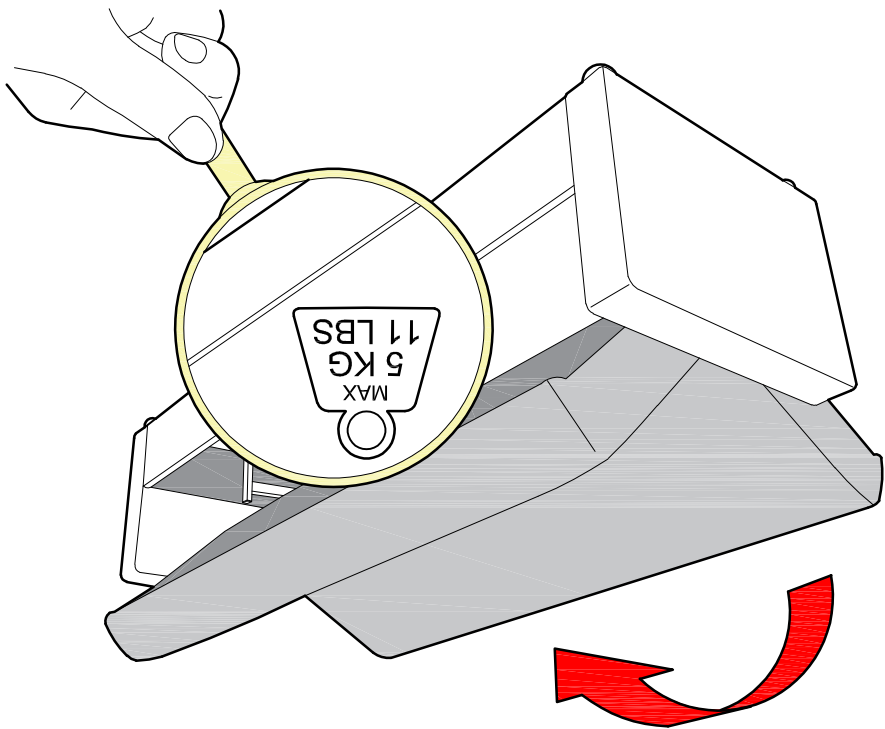
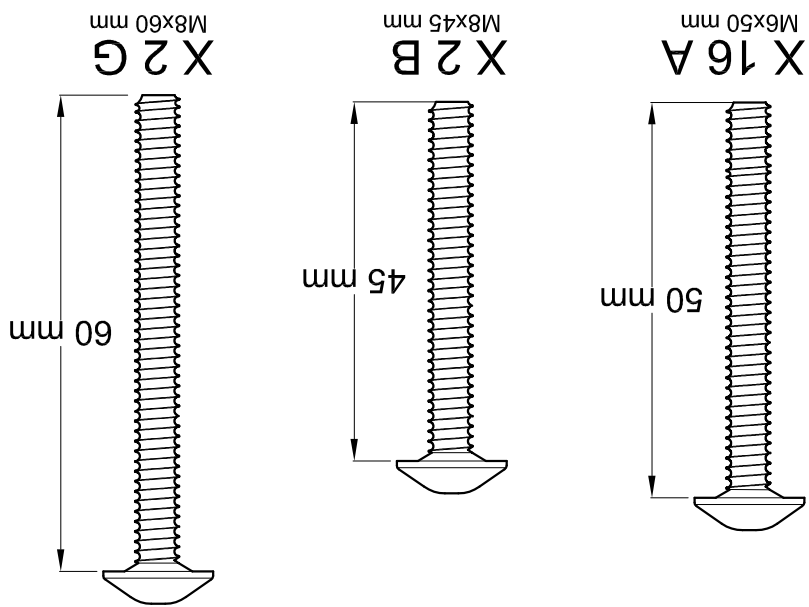
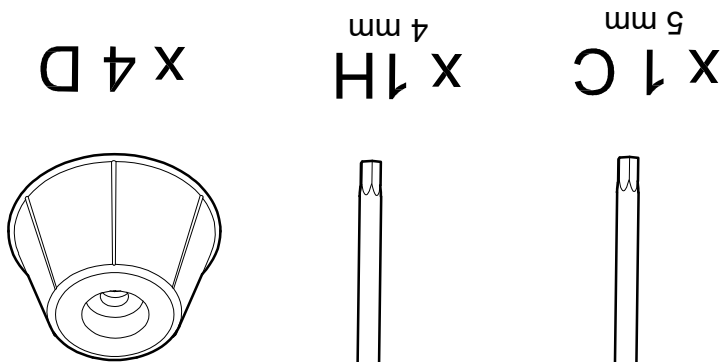
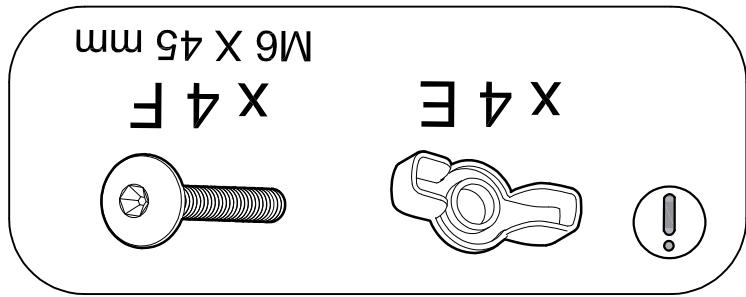
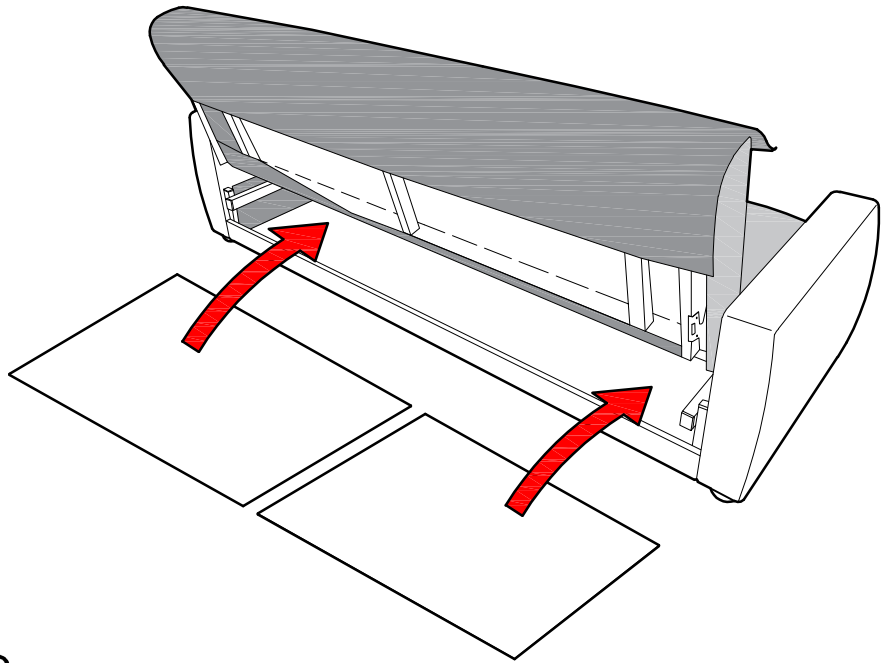
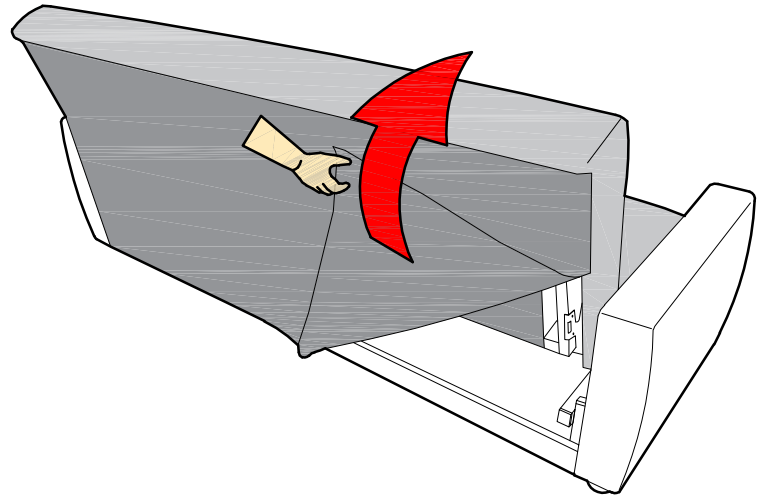


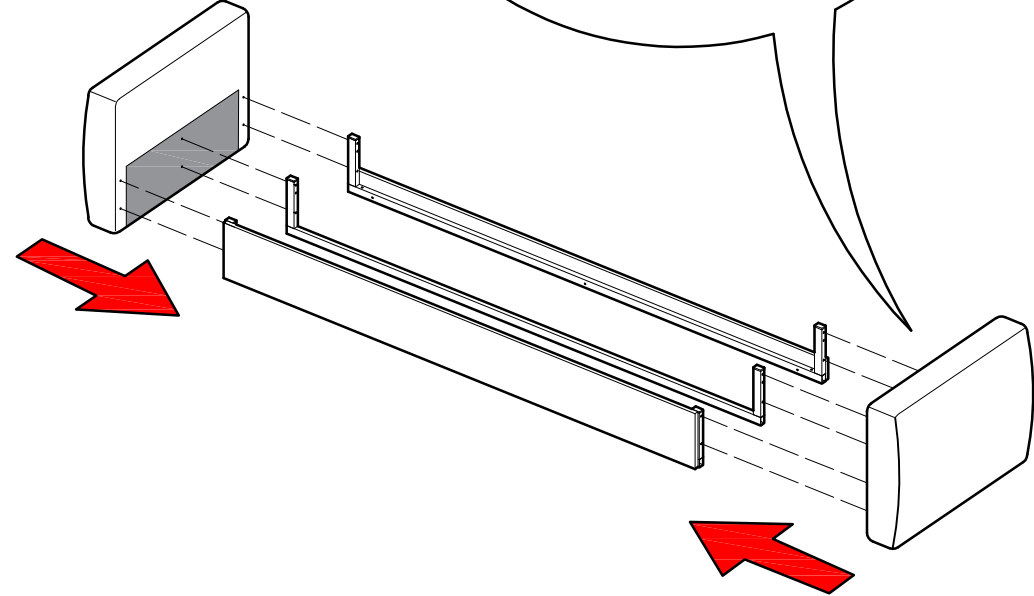
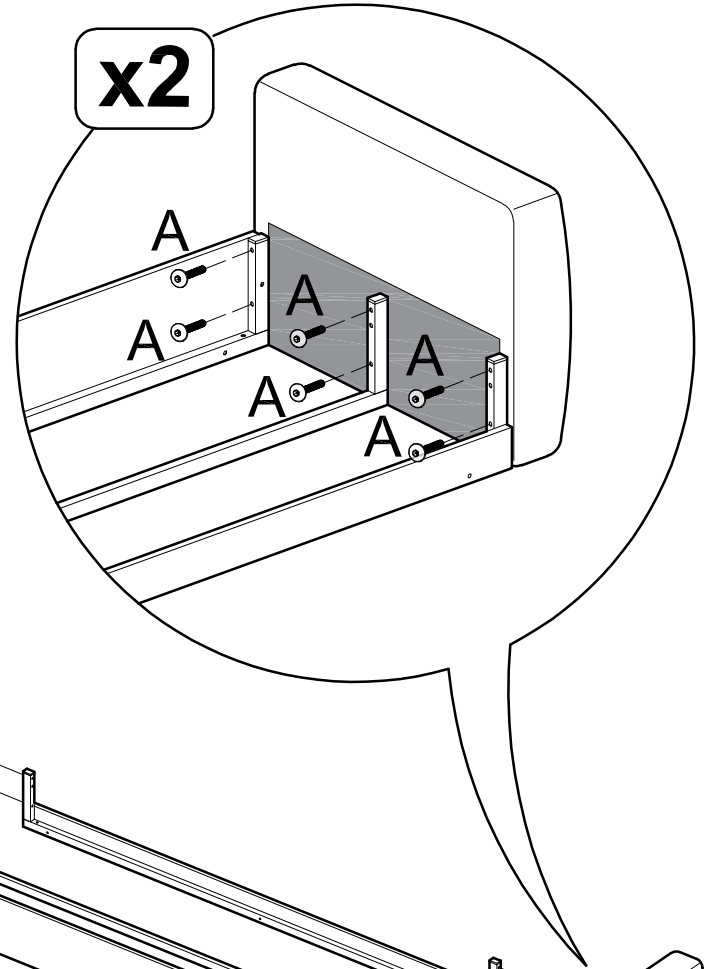
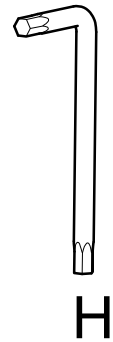
PAROS/RODI





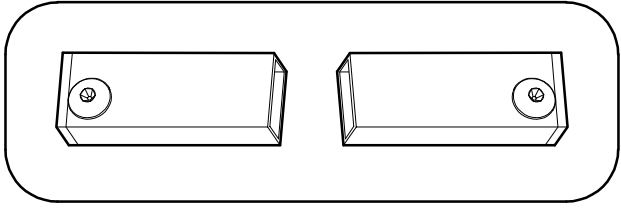


9

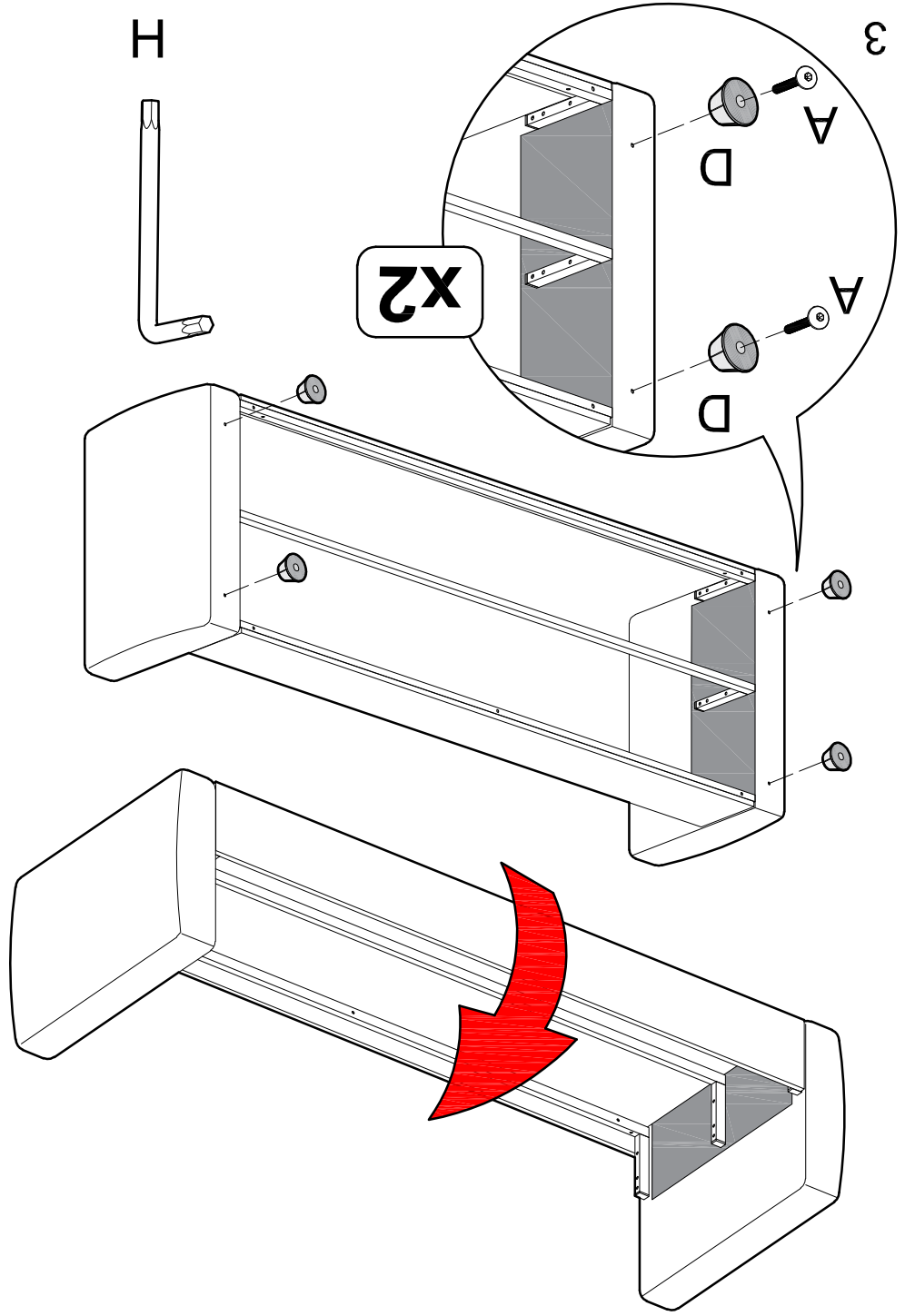
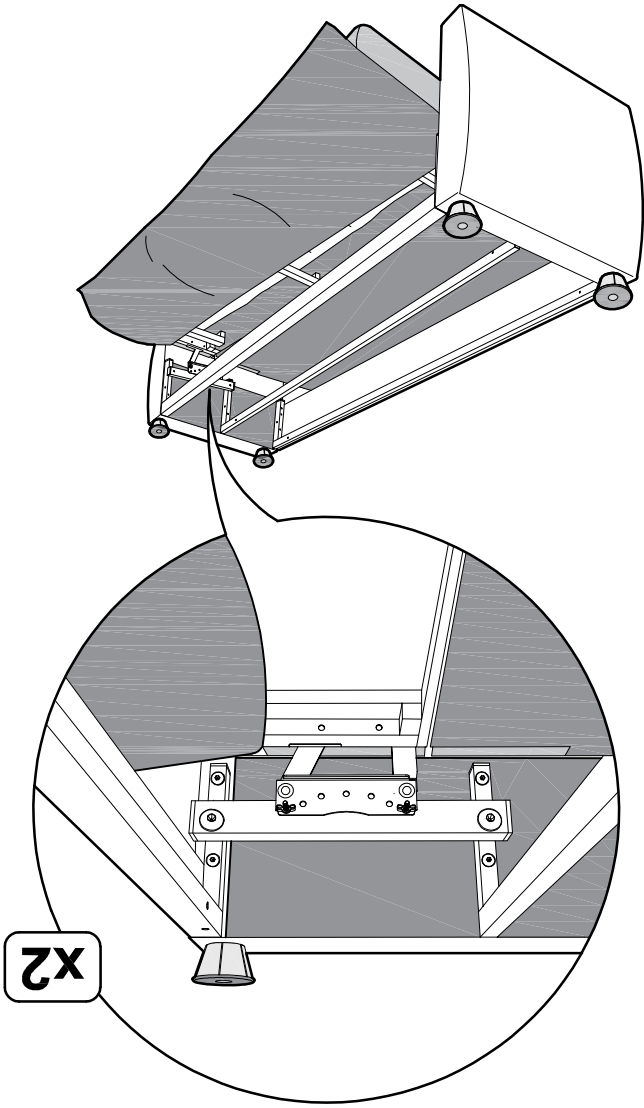


2

8



C



H



3

A

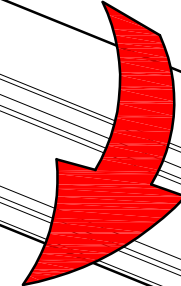
D

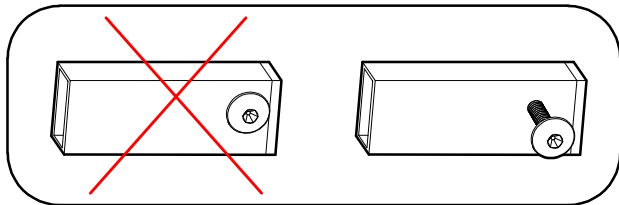
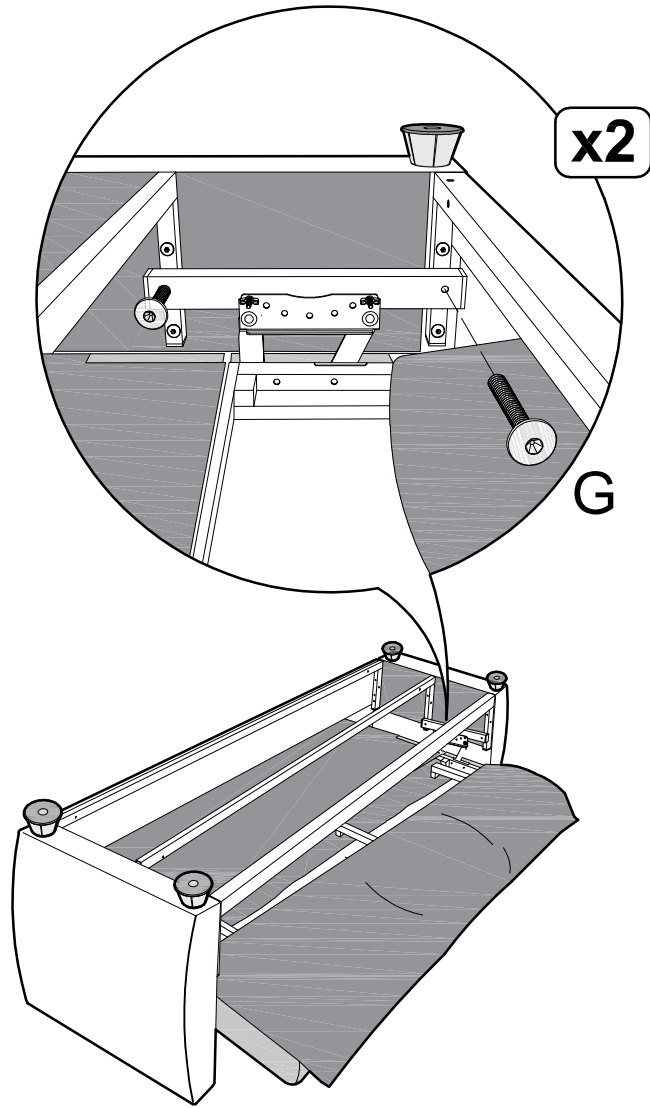
A

D

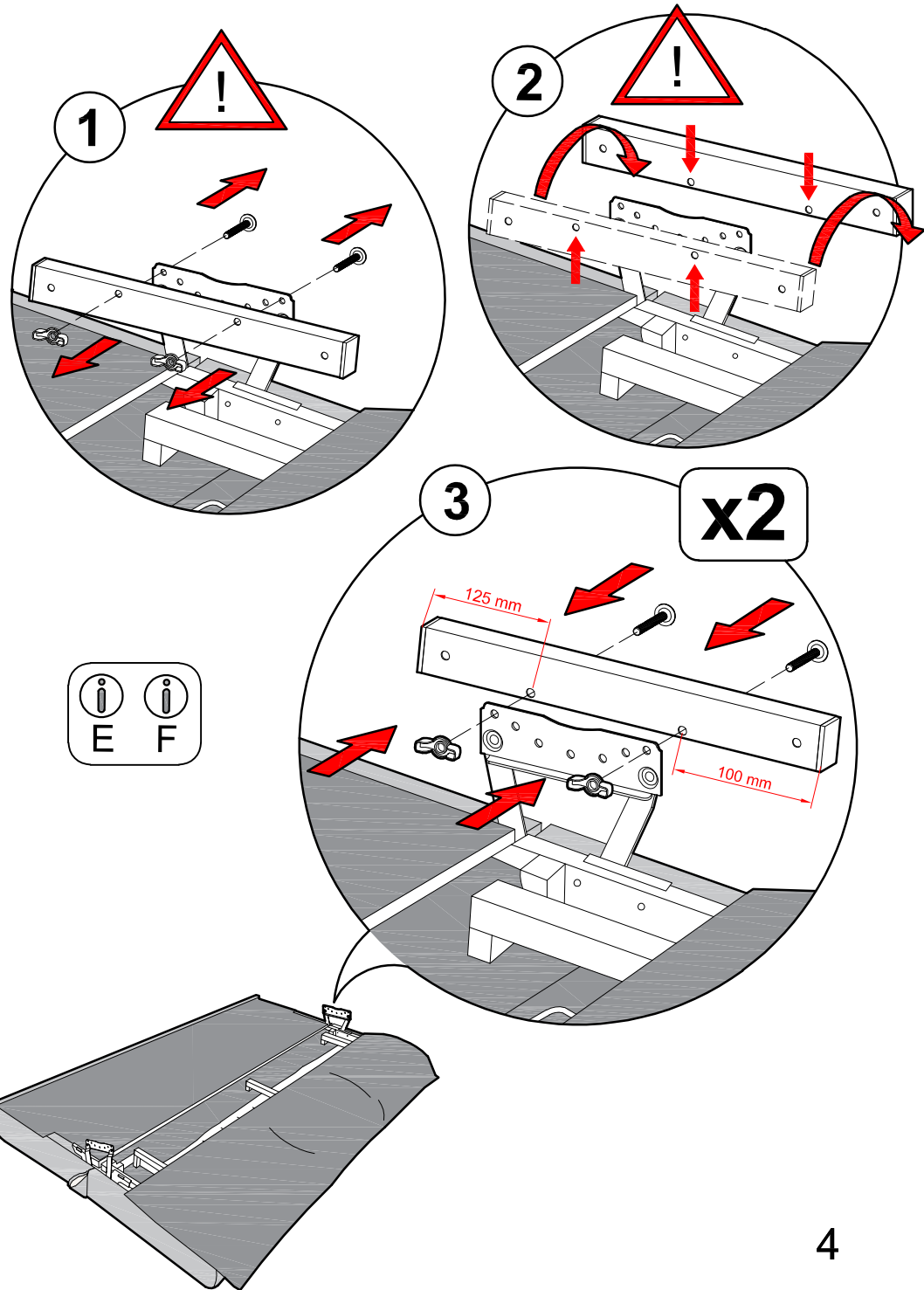
X2

X2

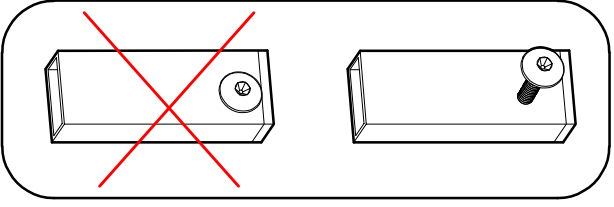




7



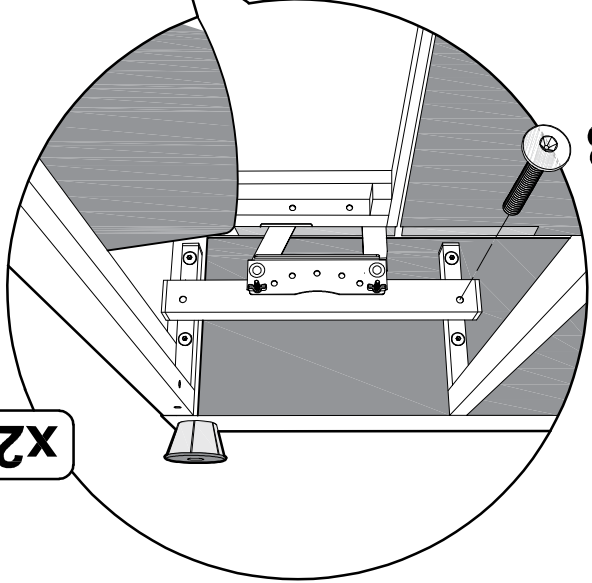
9



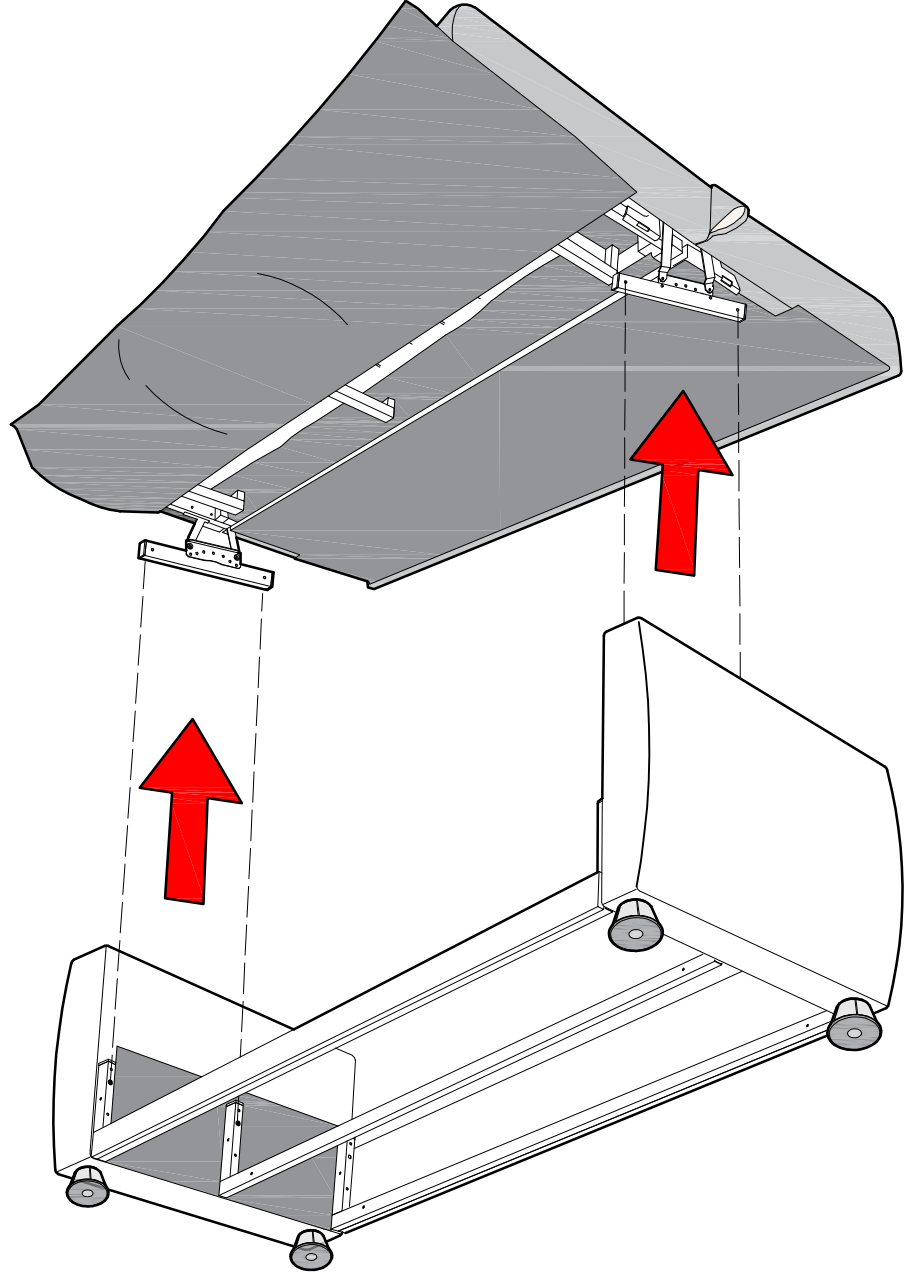
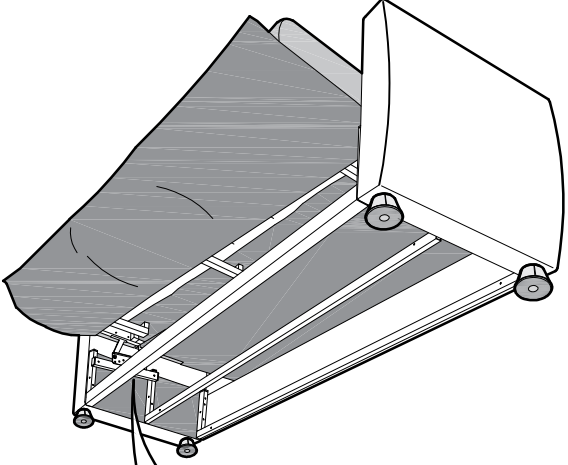
C



X2



B



51